

20V Stepper Motor Driver

Description

The SA8549 is a dual-channel low saturation voltage forward/reverse motor driver IC. It is optimal for motor drive in 12V system products and can drive a stepper motor in Full-step or two DC motor.

The output driver block of each H-bridge consists of N-channel power MOSFETs configured as an H- bridge to drive the motor windings. Each H-bridge includes circuitry to regulate or limit the winding current. Internal shutdown functions are provided for under-voltage lockout, over current protection and over temperature. A low-power sleep mode is also provided.

The SA8549 is available in a compact ESOP8 and SOP10 package.

Features

- VM max=22V, IO max = 1.2A
- R_{DS(on)}: 730-mΩ (HS + LS)
- H-Bridge Motor Driver
- Over current protection
- Over temperature protection
- UVLO protection
- Low-Power Sleep Mode
- ESOP8 and ESOP10 Package

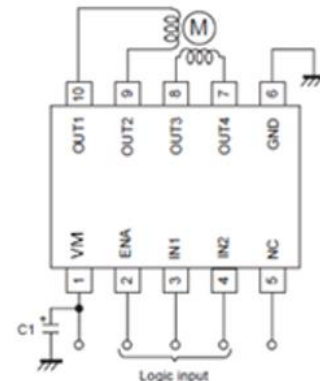
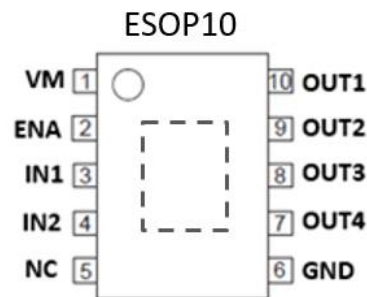
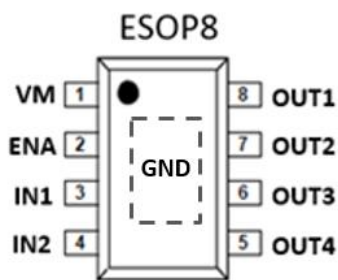
Applications

- Stage Lighting
- Refrigerator
- Vacuum Cleaner
- POS Printer
- Any Relevant Stepper Motor Applications.

Device Information

Part No.	Package	Quantity
SA8549	ESOP8	4000/Reel
SA8549	ESOP10	4000/Reel

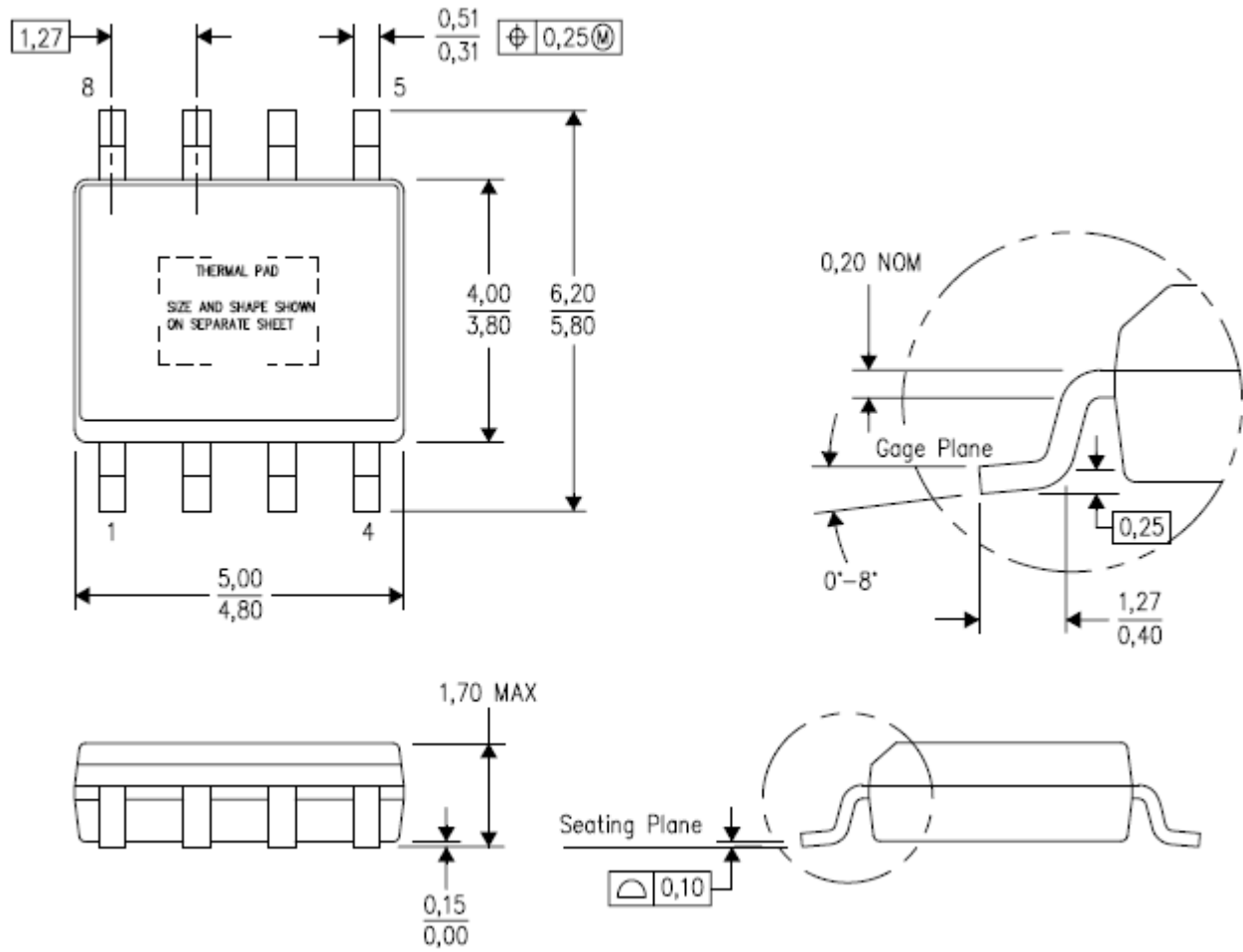
SA8549 Package & Simplified Schematic



20V Stepper Motor Driver

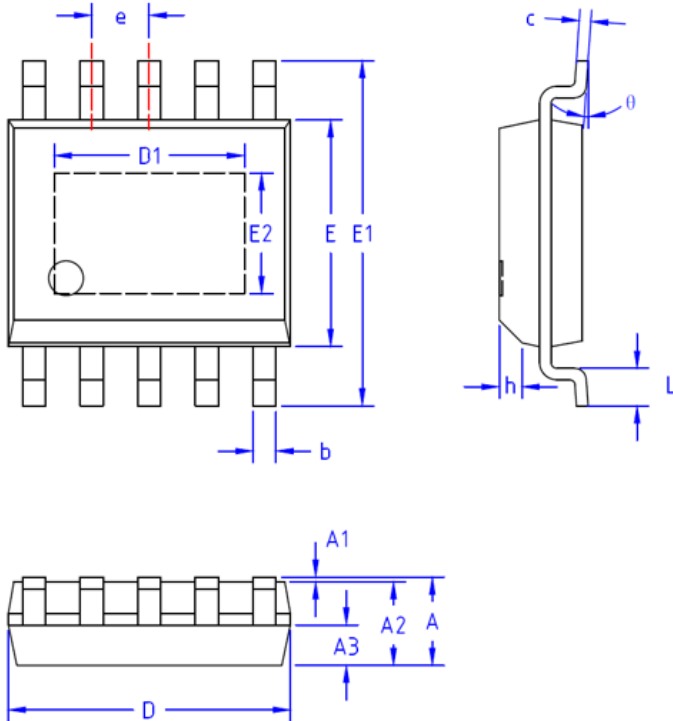
Package Information

ESOP8



20V Stepper Motor Driver

ESOP10



Dimensions/mm

DIM	MIN	TYP	MAX
A	1,500	1,600	1,700
A1	0,000	-	0,100
A2	1,350	1,450	1,550
A3	0,650	0,700	0,750
b	0,300	-	0,500
c	0,190	-	0,250
D	4,800	4,900	5,000
D1	3,200	3,300	3,400
E	3,840	3,940	4,040
E1	5,900	6,000	6,100
E2	2,000	2,100	2,200
e	1,00 (BSC)		
h	0,250	-	0,500
L	0,520	-	0,720
θ	0°	-	8°

20V Stepper Motor Driver

IMPORTANT NOTICE

Syta Technology Corporation (Sytatek) reserves the right to make corrections, modifications, enhancements, improvements, and other changes to its products and to discontinue any product without notice at any time.

Sytatek cannot assume responsibility for use of any circuitry other than circuitry entirely embodied in a Sytatek product. No circuit patent licenses are implied.