

60V High Side & Low Side Gate Drive IC for Full H-bridge

Description

The SA2106 is a high voltage, high speed power MOSFET driver with independent high and low side referenced output channels based on P_SUB P_EPI process. The floating channel can be used to drive an N-channel power MOSFET in the high side configuration which operates up to 60V. Logic inputs are compatible with standard CMOS or LS TTL output, down to 3.3V logic.

The SA2106 output drivers feature a high pulse current buffer stage designed for minimum driver cross-conduction. Propagation delays are matched to simplify use in high frequency applications.

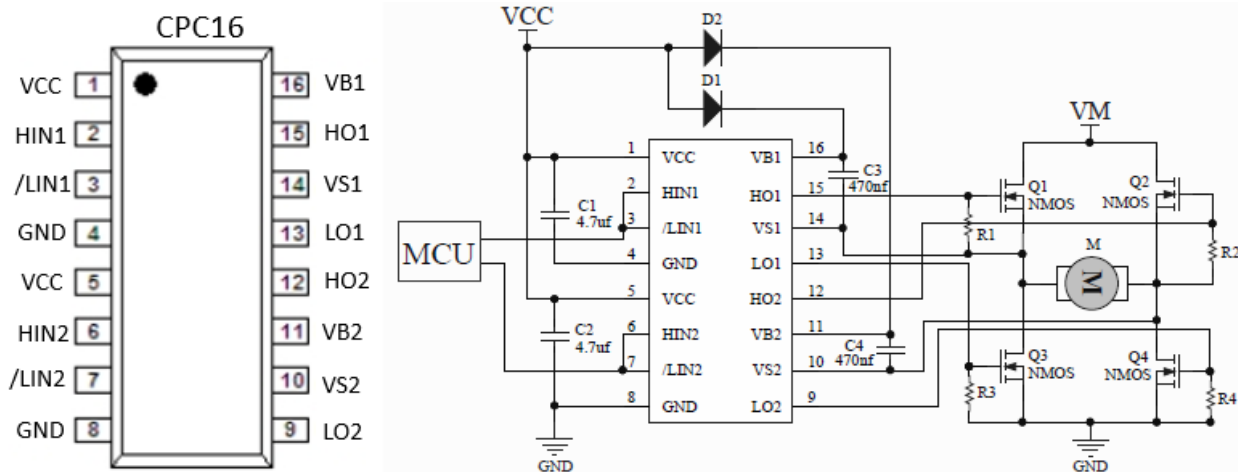
Features

- Fully operational to 60V
- 3.3/5.0V input logic compatible
- VCC range from 5V to 20V
- 1.5A/1.0A(typ.) current capability
- Deadtime 200ns (typ.)
- Matched propagation delay
- Support One-Layer PCB
- CPC16 package available

Application

- Power motor driver
- Full-Bridge Power Converters

SA2106 Package & Simplified Application



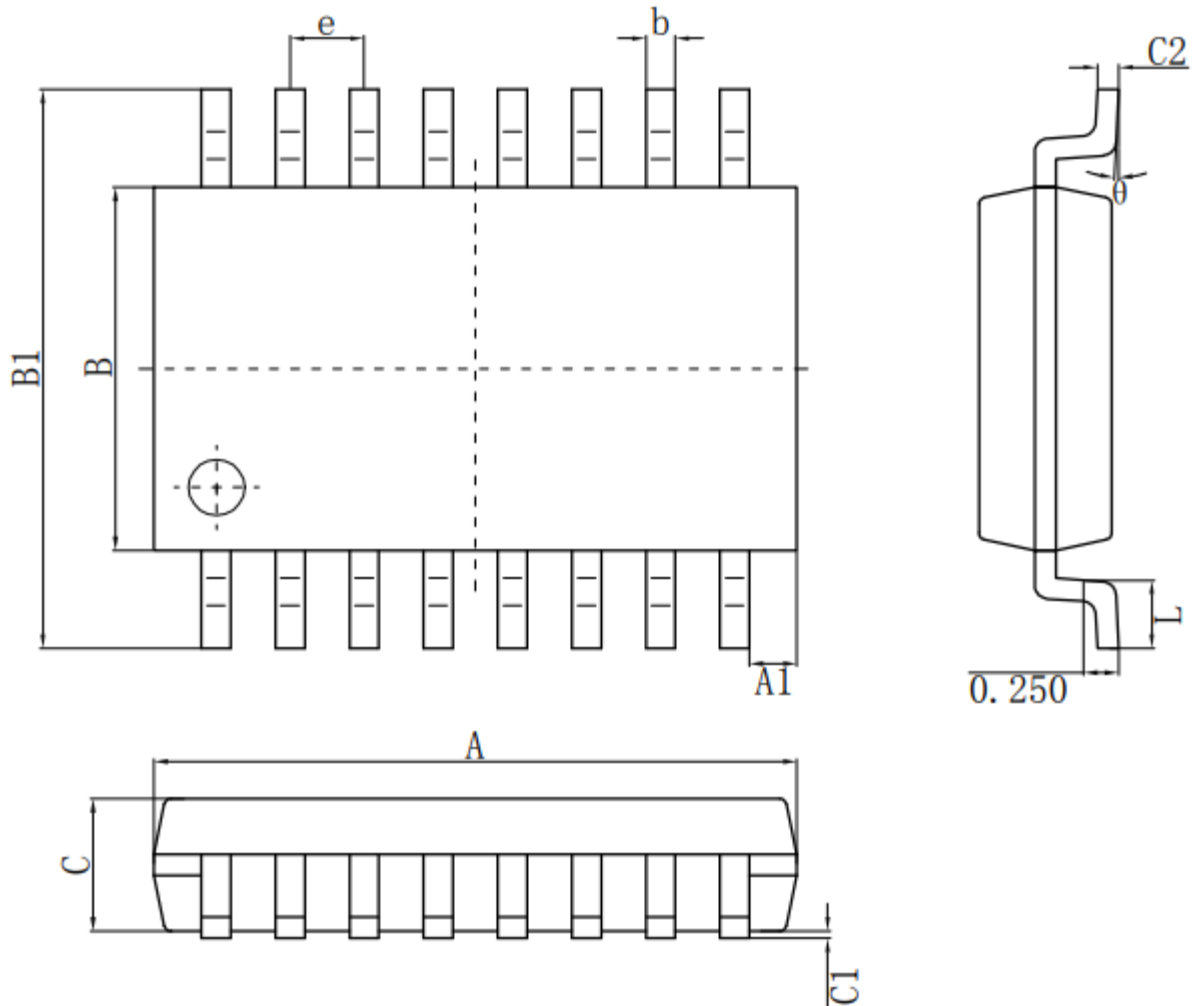
Order Information

Part No.	Package	Quality	Operation Temp.
SA2106	CPC16	6000	-40~125 °C

60V High Side & Low Side Gate Drive IC for Full H-bridge

Package

CPC16



尺寸 标注	最小 (mm)	最大 (mm)	尺寸 标注	最小 (mm)	最大 (mm)
A	4.50	4.70	C	0.85	1.05
A1	0.29	0.39	C1	0.00	0.15
e	0.53 (BSC)		C2	0.15	0.18
B	2.50	2.70	L	0.40	0.60
B1	3.85	4.15	θ	0°	8°
b	0.16	0.26			

60V High Side & Low Side Gate Drive IC for Full H-bridge

IMPORTANT NOTICE

Syta Technology Corporation (Sytatek) reserves the right to make corrections, modifications, enhancements, improvements, and other changes to its products and to discontinue any product without notice at any time.

Sytatek cannot assume responsibility for use of any circuitry other than circuitry entirely embodied in a Sytatek product. No circuit patent licenses are implied.